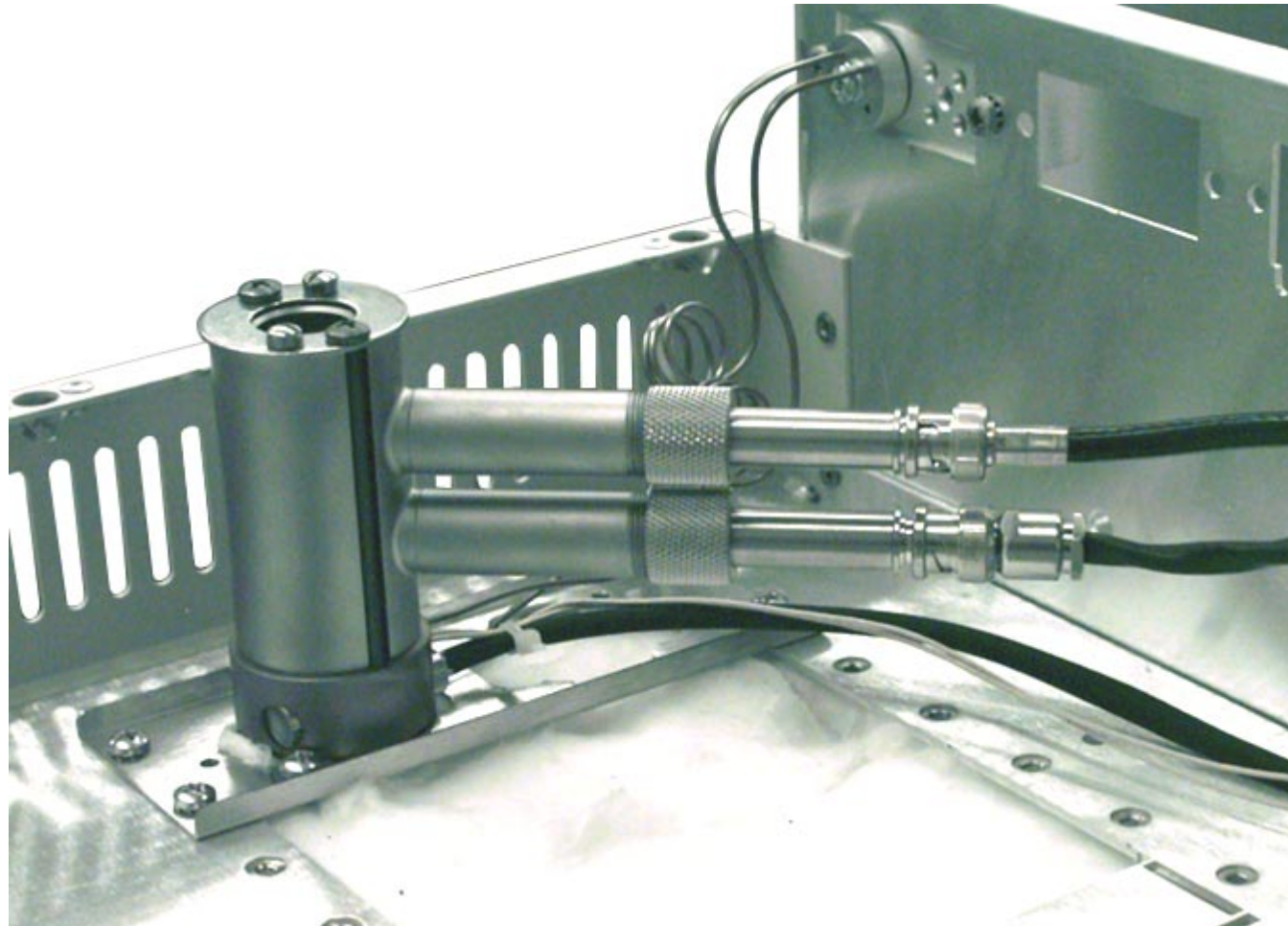
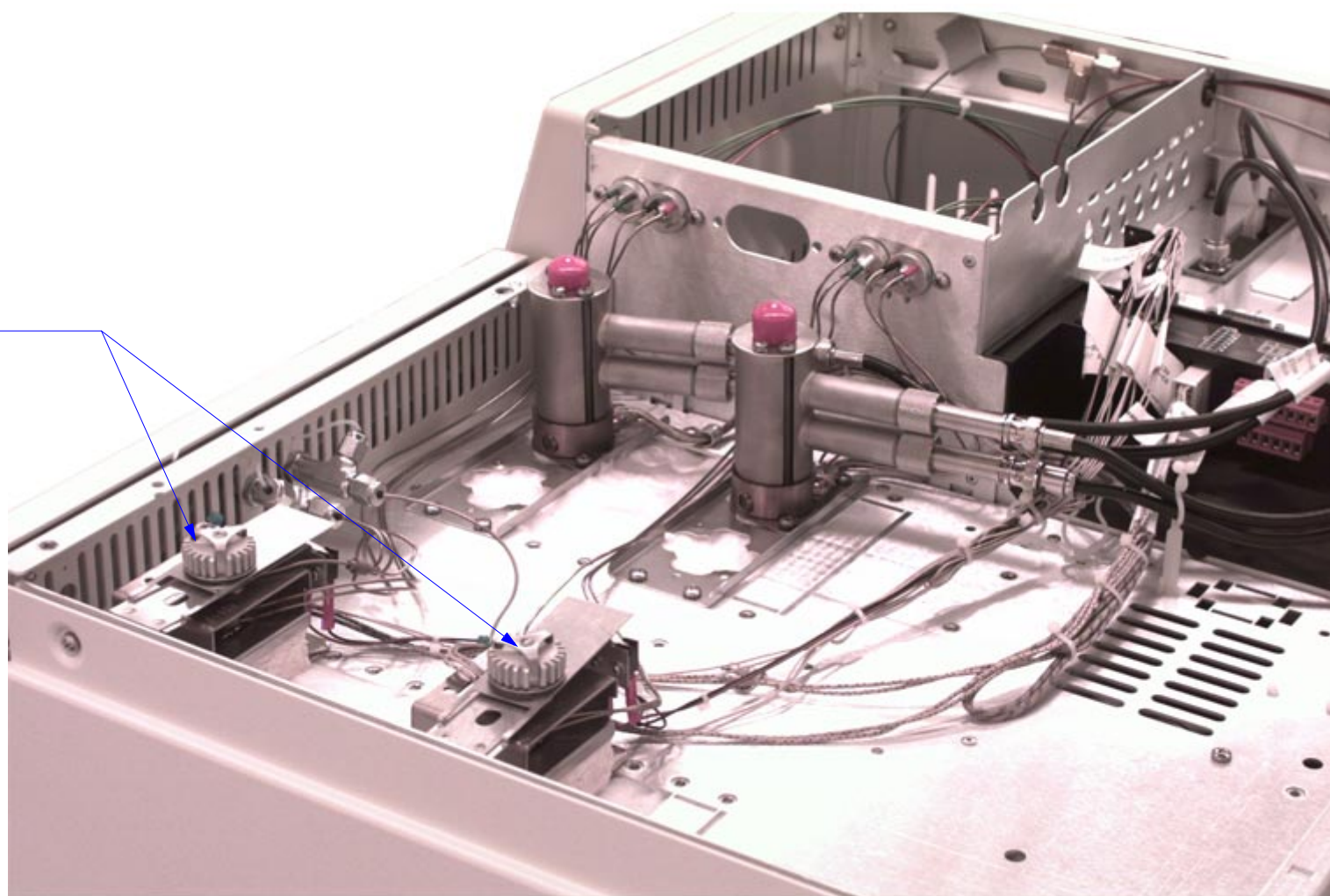


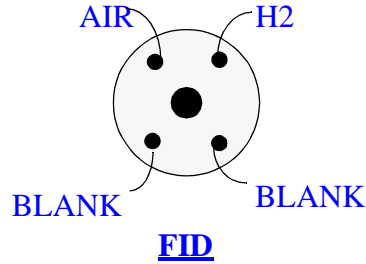
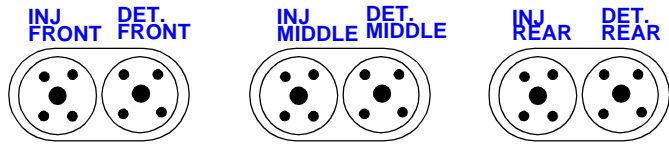
## FID EFC INSTALLATION



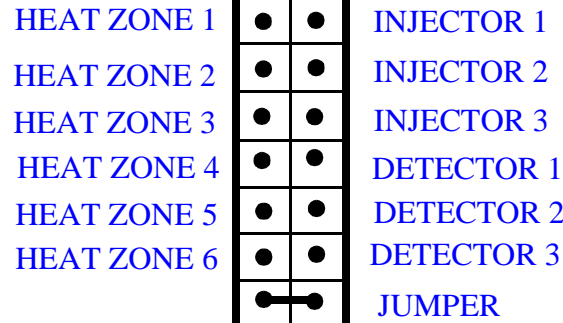
## 3800 TWIN 8200 A/S INJ. & DET. LOCATION & ORIENTATION

INJ. POSITION 1 & 4

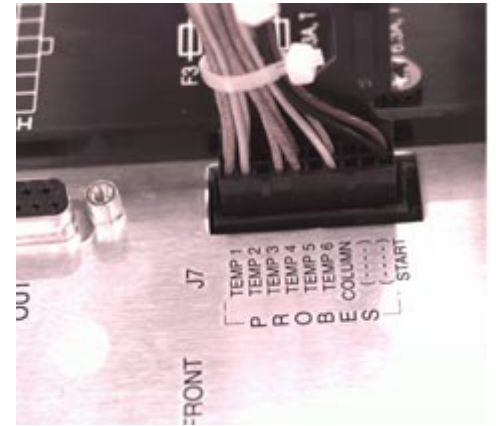




**MANIFOLD PLUMBING**




**J41**




**J7**

**REF ONLY**

- 03-917142-00 VITON FERRULE
- 12-901150-00 SCREW
- 03-917141-00 CONDYNTE PLATE

AIR TOP LINE FROM DET. BASE, BLACK 

H2 BOTTOM LINE FROM DET. BASE, RED 

**DETECTOR SIDE MANIFOLD**

03-925374-01 TEMPERATURE PROBE



12-901163-00 SCREW, 4EA

12-901165-00 SCREW

03-918663-06 SCREW, 2EA

03-925526-01 DETECTOR BASE CLIP

03-925326-01 DETECTOR MOUNTING BASE

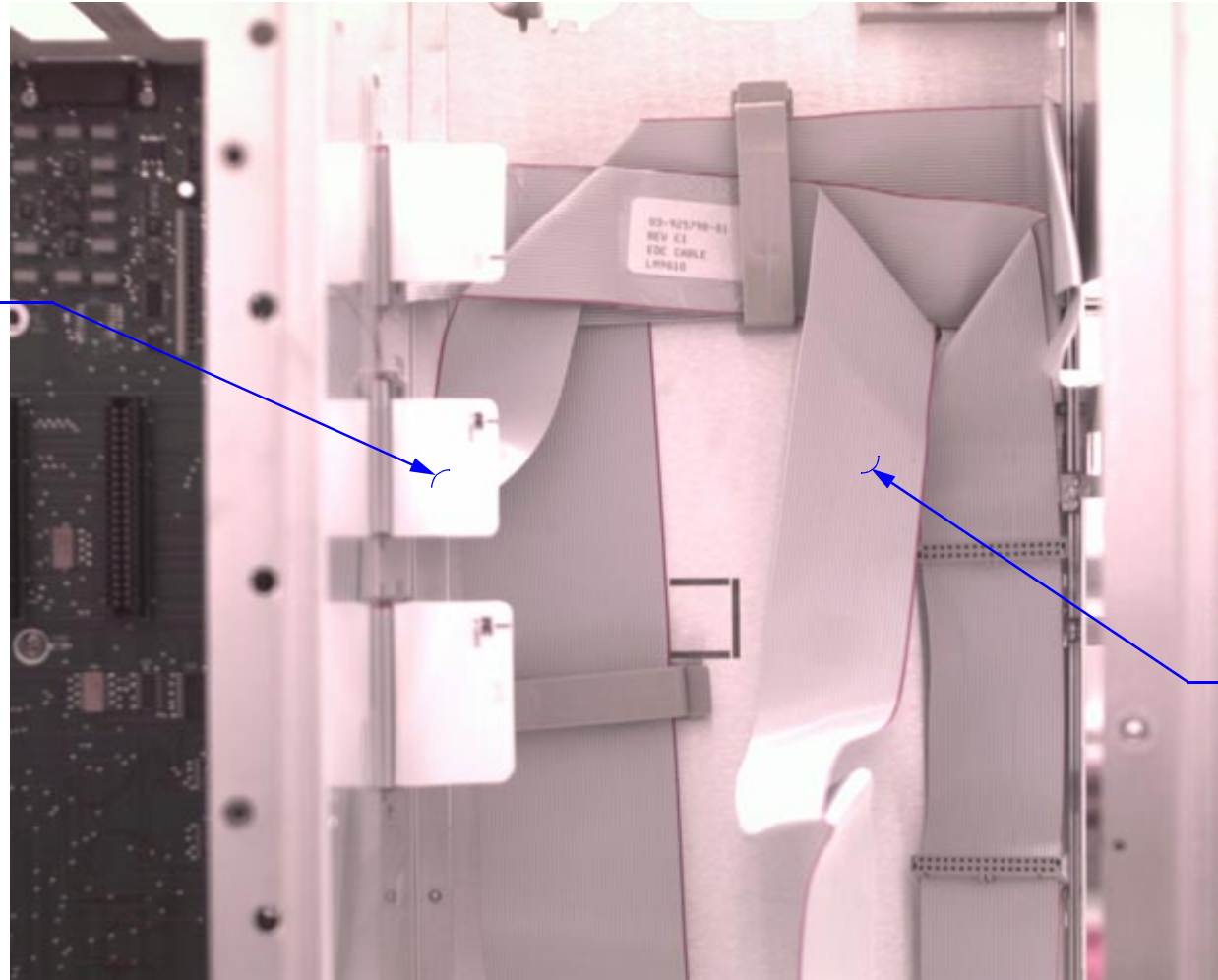
 

**CLICK HERE**  
FOR PROBE CONNECTION TO J7 ON MAIN BD.

**CLICK HERE** FOR HEATER CONNECTION J41 ON POWER BOARD

## CABLE INSTALLATION

CABLE PLUG-IN  
TO MAIN BOARD



03-925798-01  
CABLE, FLAT FOR  
DETECTOR EFC

## INLET MANIFOLD SUBASSEMBLY

03-925842-24  
TUBING, PEEK 1/8 26" (NATURAL)

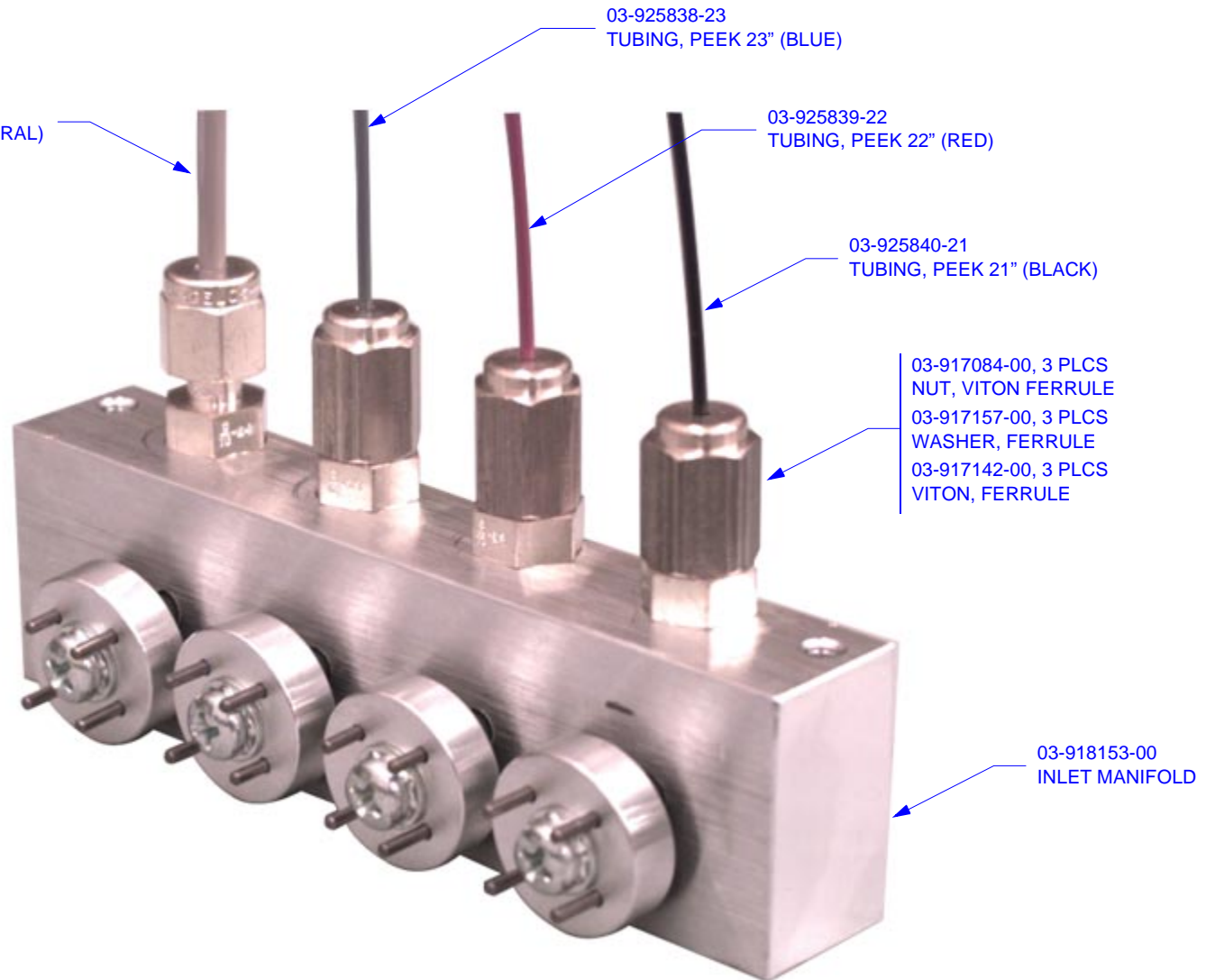
03-925838-23  
TUBING, PEEK 23" (BLUE)

03-925839-22  
TUBING, PEEK 22" (RED)

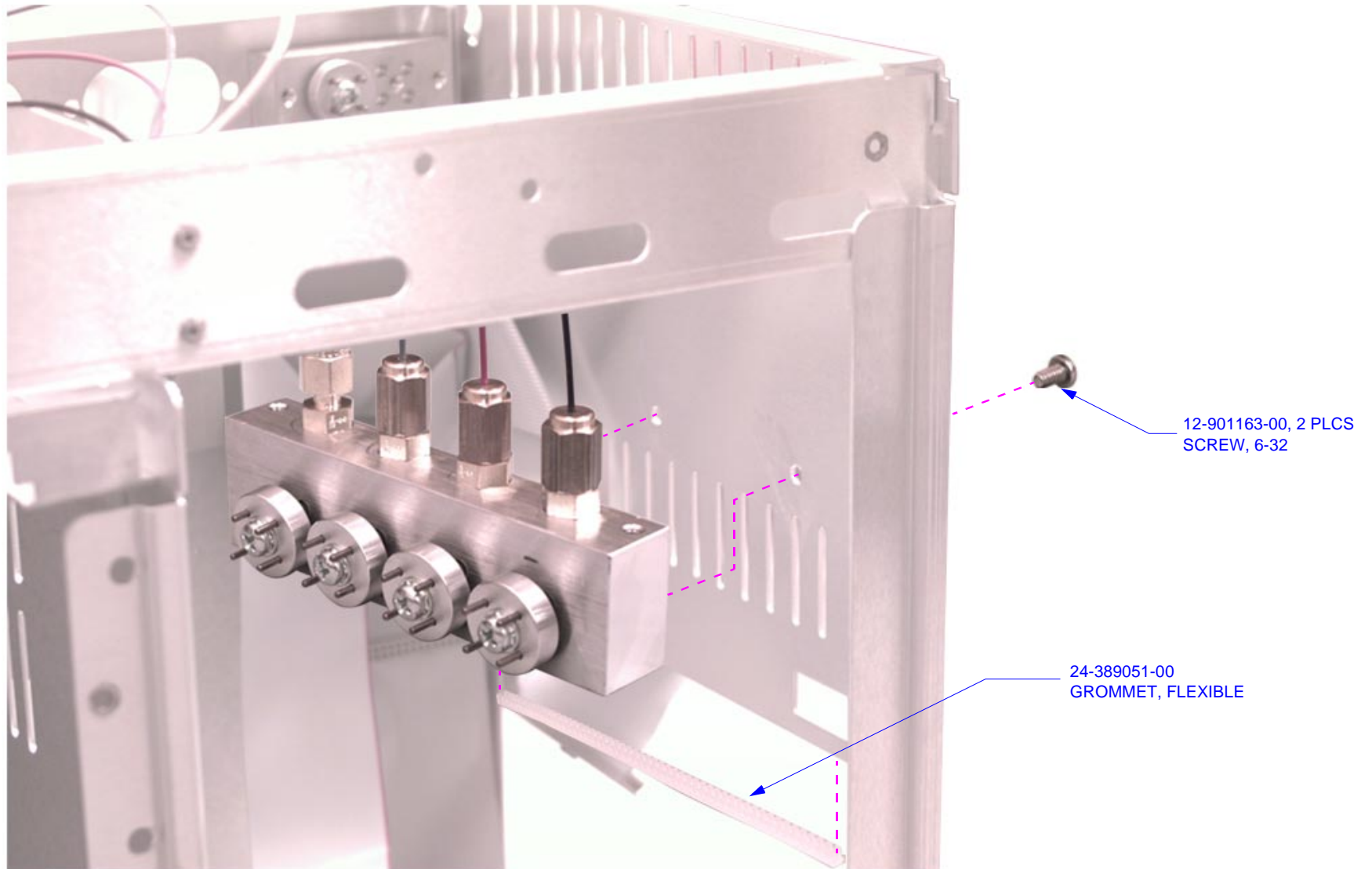
03-925840-21  
TUBING, PEEK 21" (BLACK)

03-917084-00, 3 PLCS  
NUT, VITON FERRULE  
03-917157-00, 3 PLCS  
WASHER, FERRULE  
03-917142-00, 3 PLCS  
VITON, FERRULE

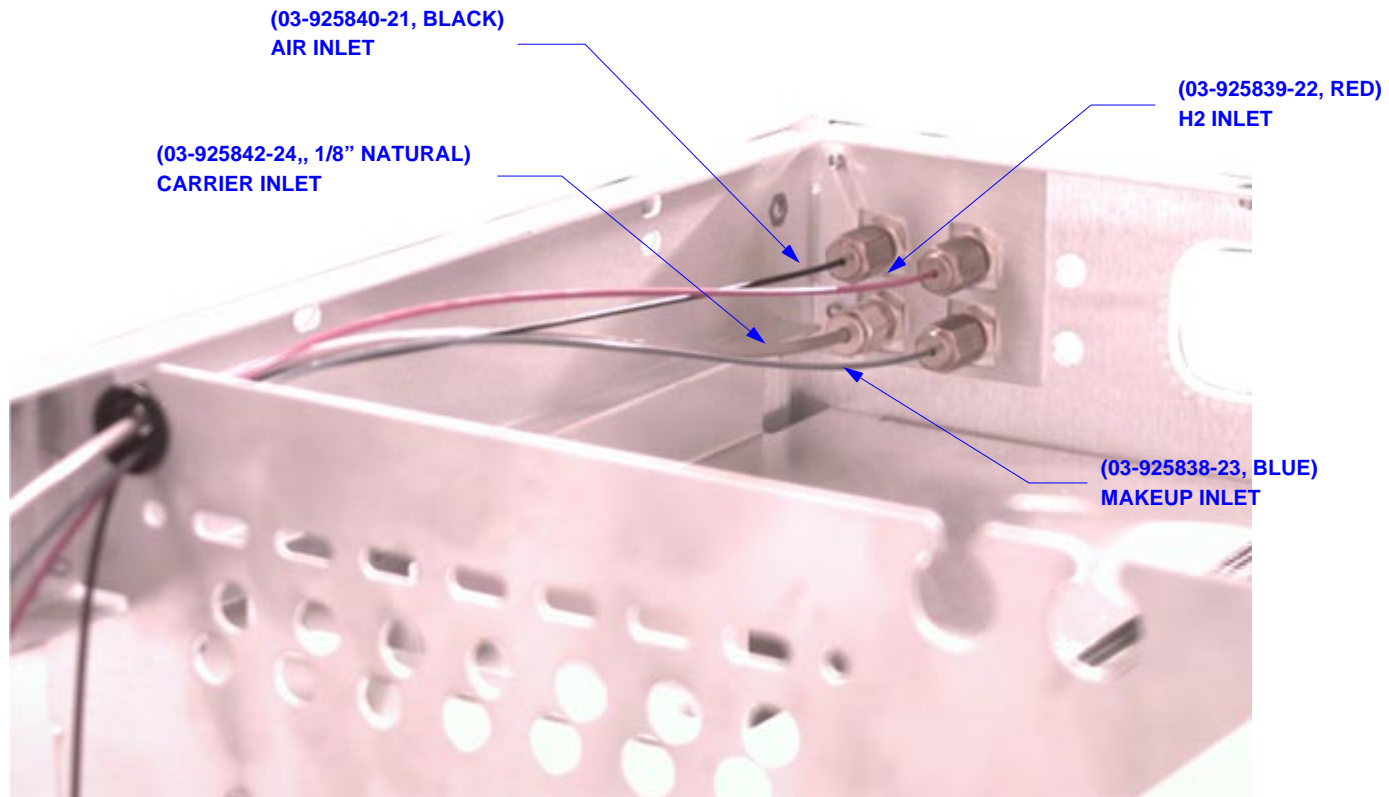
03-918153-00  
INLET MANIFOLD



## MODULE INSTALLATION



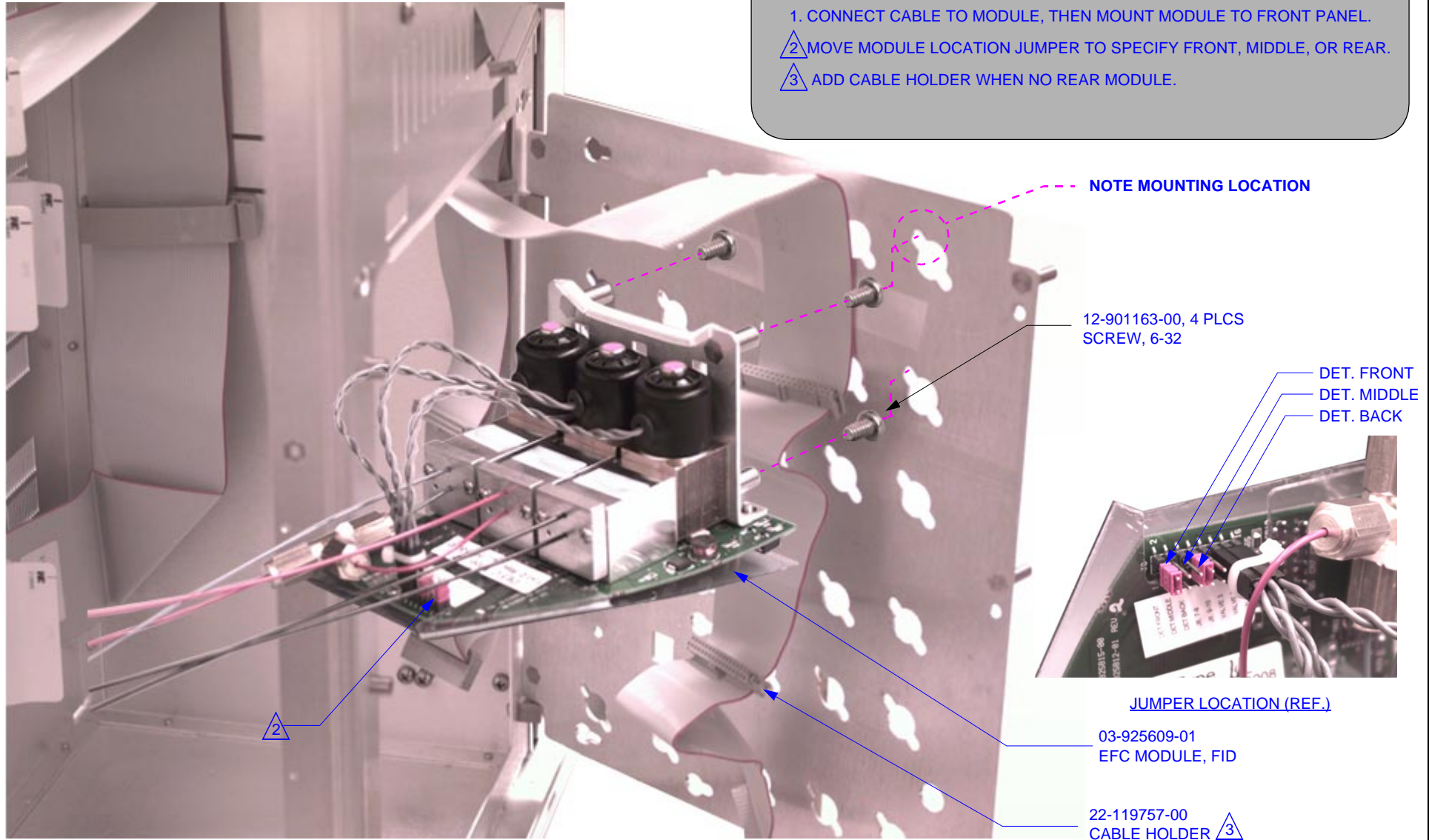
## INLET MANIFOLD INSTALLATION



## MODULE INSTALLATION

NOTES:

1. CONNECT CABLE TO MODULE, THEN MOUNT MODULE TO FRONT PANEL.
2. MOVE MODULE LOCATION JUMPER TO SPECIFY FRONT, MIDDLE, OR REAR.
3. ADD CABLE HOLDER WHEN NO REAR MODULE.



NOTE MOUNTING LOCATION

12-901163-00, 4 PLCS SCREW, 6-32

DET. FRONT  
DET. MIDDLE  
DET. BACK

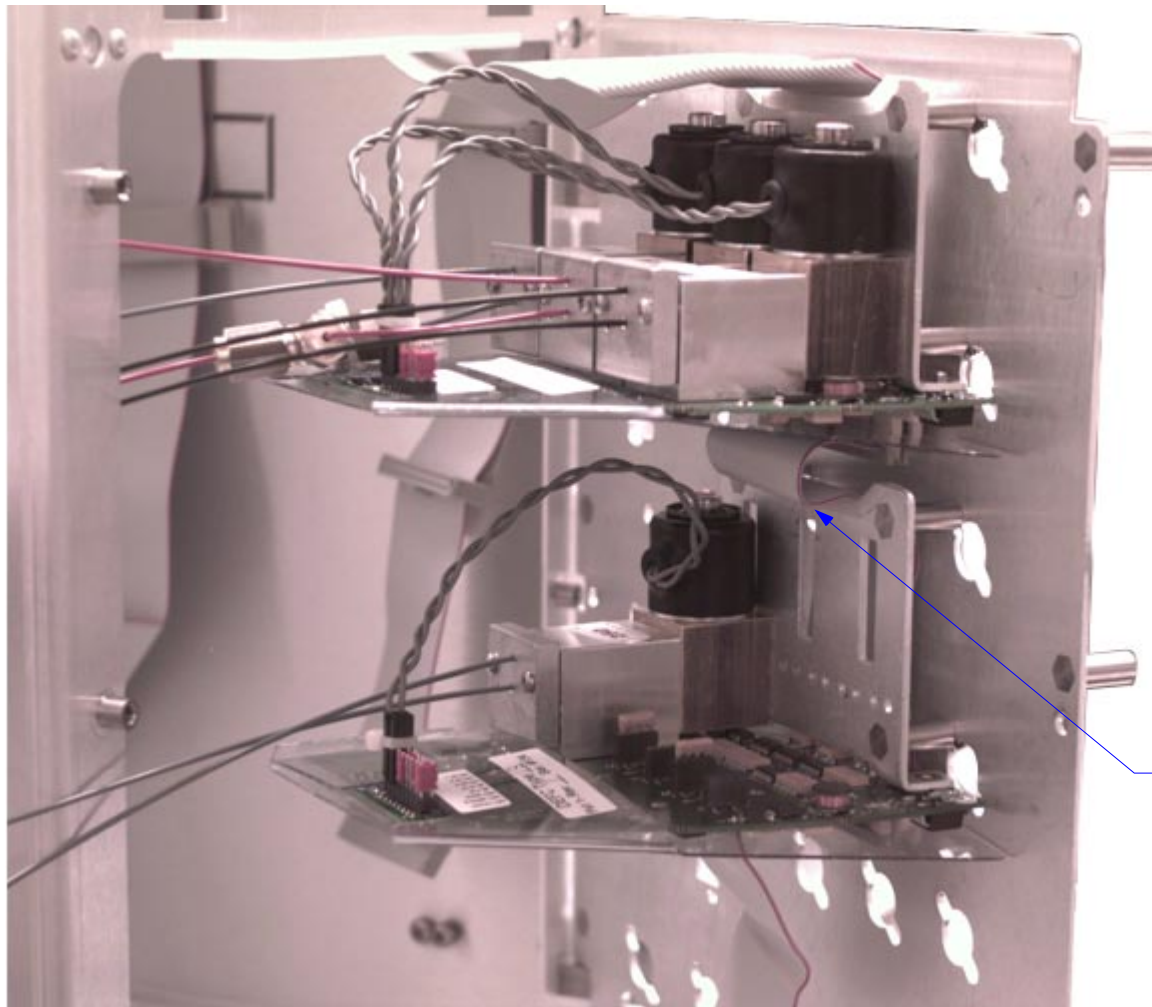
JUMPER LOCATION (REF.)

03-925609-01  
EFC MODULE, FID

22-119757-00  
CABLE HOLDER 3

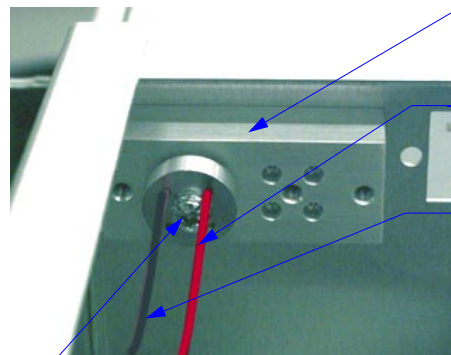


## ADDITIONAL MODULE CABLING (IF REQ'D)



NOTE CABLE SERVICE  
LOOP FOR ADDITIONAL  
DETECTOR EFC MODULE

**PNEUMATICS SIDE MANIFOLD**



REFERENCE ONLY  
PNEU. MANIFOLD

AIR LINE FROM MODULE  
TO DETECTOR BLACK (26")

HYDROGEN LINE  
FROM MODULE TO  
DETECTOR RED (26")

03-917142-00  
VITON FERRULE

12-901150-00  
SCREW

03-917141-00  
CONDYNE PLATE

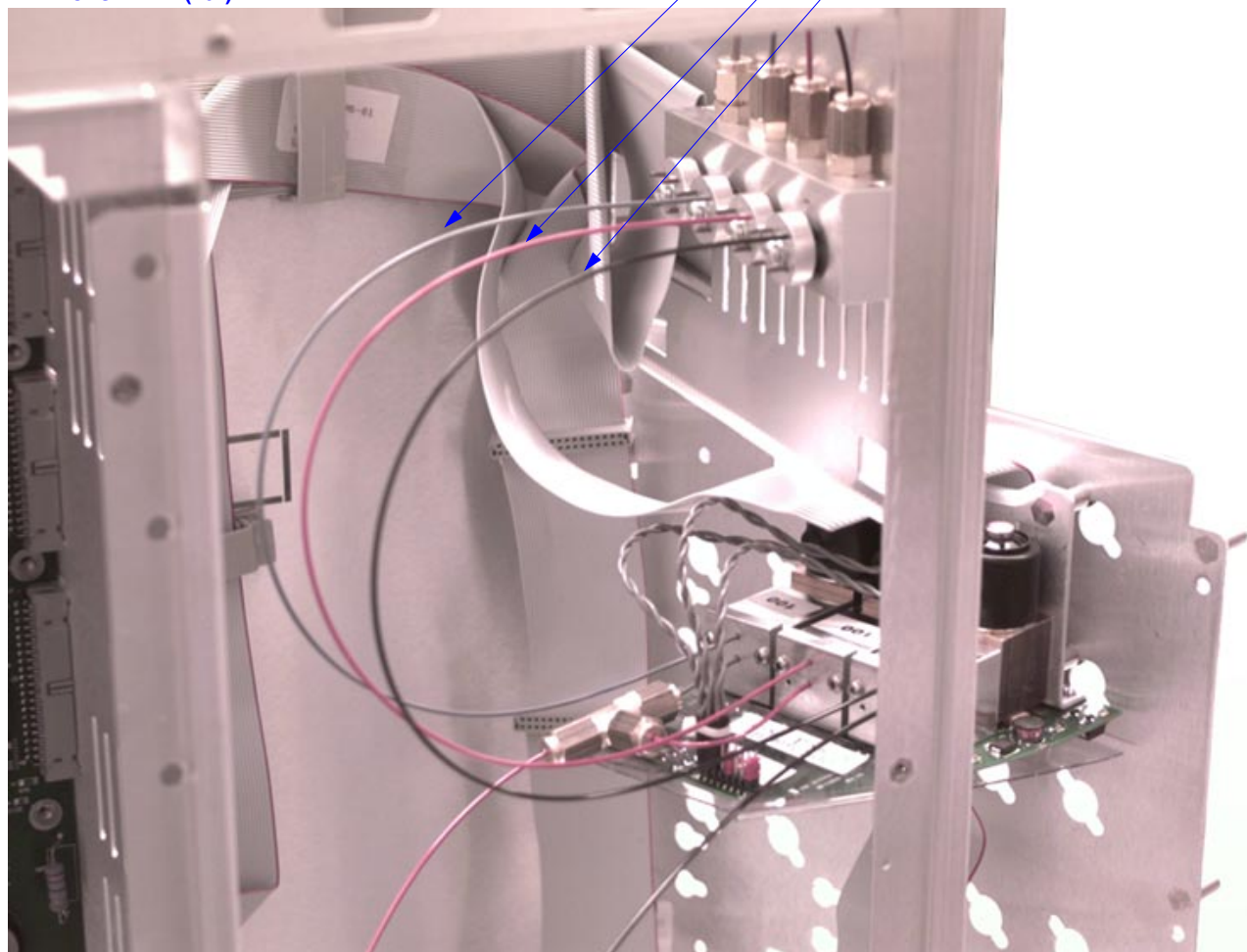
REF. ONLY

**MODULE PNEUMATICS CONNECTIONS**

MAKEUP LINE TO MODULE, BLUE (16")

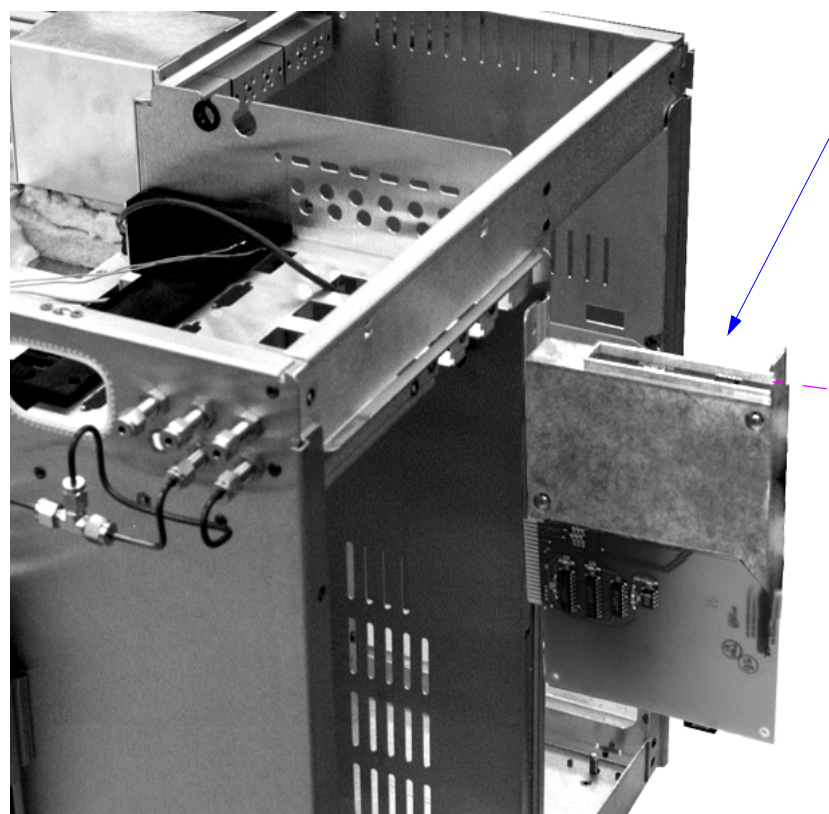
H2 LINE TO MODULE, RED (16")

AIR LINE TO MODULE, BLACK (16")

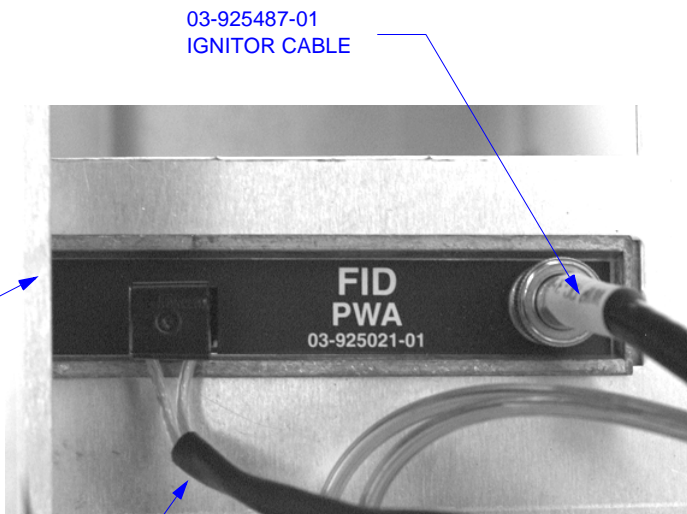


**NOTES:**

1. DRESS PLUMBING IN PNEUMATICS COMPARTMENT USING CABLE TIE. INSPECT TO ENSURE PNEUMATICS PANEL SWINGS FREELY.



**FID PWA INSTALLATION**

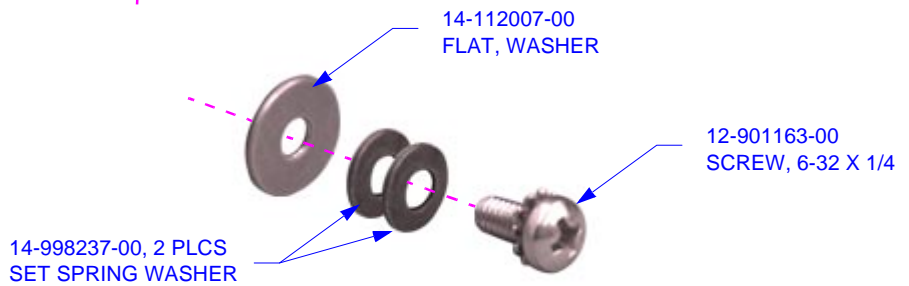


03-925487-01  
IGNITOR CABLE

03-925021-01  
FID PWA

03-917830-00  
SIGNAL CABLE 18"

**SIGNAL & IGNITOR CABLE CONNECTION**



14-112007-00  
FLAT, WASHER

12-901163-00  
SCREW, 6-32 X 1/4

14-998237-00, 2 PLCS  
SET SPRING WASHER

**MOUNTING SCREWS DETAIL**